

VersaSTAT 3F

Hardware Manual

VersaSTAT 3F Electrochemical System

1. INTRODUCTION

1.1. HARDWARE

1.2. POTENTIOSTATIC CIRCUITRY

1.2.1. Potentiostatic mode

1.2.2. Galvanostatic mode

1.3. Software

1.4. Polarity Convention

1.5. Inspecting Your New Instrument

1.6. Maintenance, Service, and Support

1.7. About this manual

2. SAFETY AND COMPONENT PLACEMENT

2.1. Safety Considerations

2.1.1. Line Voltage Settings and Fuses

2.1.2. Defects and Abnormal Stresses

2.2. Component Placement

2.2.1. Ventilation

2.2.2. Radio Frequency Interference

2.2.3. Transient Sensitivity

3. INSTALLATION

3.1. Enabling the USB port on your PC

3.2. Connectors and Indicators

3.2.1. Rear Panel

3.2.1.1. INPUT POWER

3.2.1.2. USB

3.2.1.3. SYNC ADC INPUT

3.2.1.4. DAC OUTPUT

3.2.1.5. AUXILIARY INTERFACE

3.2.2. Front Panel

3.2.2.1. CELL CABLE

3.2.2.2. INDICATORS

3.3. Connecting to the PC and Cell

3.3.1. Connecting to the PC

3.3.1.1. INSTALLING THE USB DRIVER

3.3.2. Connecting the Cell

3.4. Floating Operation

3.4.1. Setting Operation Modes of Float and Normal

4. SPECIFICATIONS AND PINOUTS

4.1. Electronic Specifications

4.1.1. System Performance

4.1.2. Power Amplifier

4.1.3. Voltage Control

4.1.4. Current Control

4.1.5. Differential Electrometer

4.1.6. Voltage Measurement

4.1.7. Current Measurement

4.1.8. iR Compensation

4.1.9. Potential/Current Control

4.1.10. Impedance Specifications (if option available)

4.2. Physical and Power Specifications

4.3. Standard Environmental Conditions

4.4. AUXILIARY INTERFACE Pinouts

4.5. CELL CABLE Pinouts

5. AVAILABLE OPTIONS

5.1. 2A High Current Option

5.2. FRA Option

5.3. Advanced Auxiliary Interface Option

5.4. Power Booster Options

6. WARRANTY

APPENDIX 1 – VersaSTAT 3F External Power Booster Connections

Safety Instructions and Symbols

This manual contains up to three levels of safety instructions that must be observed in order to avoid personal injury and/or damage to equipment or other property. These are:

DANGER Indicates a hazard that could result in death or serious bodily harm if the safety instruction is not observed.

WARNING Indicates a hazard that could result in bodily harm if the safety instruction is not observed.

CAUTION Indicates a hazard that could result in property damage if the safety instruction is not observed.

Please read all safety instructions carefully and make sure you understand them fully before attempting to use this product.

Cleaning Instructions

WARNING: Using this instrument in a manner not specified by the manufacturer may impair the protection provided by the instrument.

To clean the instrument exterior:

- Unplug the instrument from all voltage sources.
- Remove loose dust on the outside of the instrument with a lint-free cloth.
- Remove remaining dirt with a lint-free cloth dampened in a general-purpose detergent and water solution. Do not use abrasive cleaners.

CAUTION: To prevent moisture inside of the instrument during external cleaning, use only enough liquid to dampen the cloth or applicator.

- Allow the instrument to dry before reconnecting the power cord.

1. INTRODUCTION

The VersaSTAT 3F (Figure 1), teamed with the VersaStudio software package, comprises a simple, flexible, and extremely powerful system for performing a wide range of electrochemical techniques. The VersaSTAT 3F is a potentiostat/galvanostat with an optional frequency response analyzer (FRA) contained in a single unit. It is controlled from any suitably equipped PC by a Universal Serial Bus (USB) interface using the VersaStudio electrochemistry software package.



Figure 1. VersaSTAT 3F

1.1. General

The host computer provides memory, data processing, input-output, and interface capabilities. The VersaSTAT 3F electronically controls the measurement under the direction of the software and parameter values entered from the host computer. The computer must be equipped with a USB port, and the operating system must support the USB interface.

1.2. Hardware Circuitry

The VersaSTAT 3F circuitry includes:

- Two 16-bit digital-to-analog converters (DACs) for versatile waveform generation.
- Three 16-bit analog-to-digital converters (ADCs) to measure current (I), potential (E), SYNC ADC INPUT.
- An onboard microprocessor to perform the experiment defined by the operating software.
- Onboard memory to store the programmed parameters and data point values.

The VersaSTAT 3F operates with VersaStudio in either the potentiostatic or galvanostatic mode, described below.

1.2.1. Potentiostatic mode

In this mode, the VersaSTAT 3F controls the potential at the working-sense electrode with respect to the reference electrode (see Figure 2). The counter electrode is driven to the potential required (consistent with the ± 12 V compliance of the control amplifier) to establish the desired working potential. The range over which the working electrode potential can be controlled is ± 10 V.

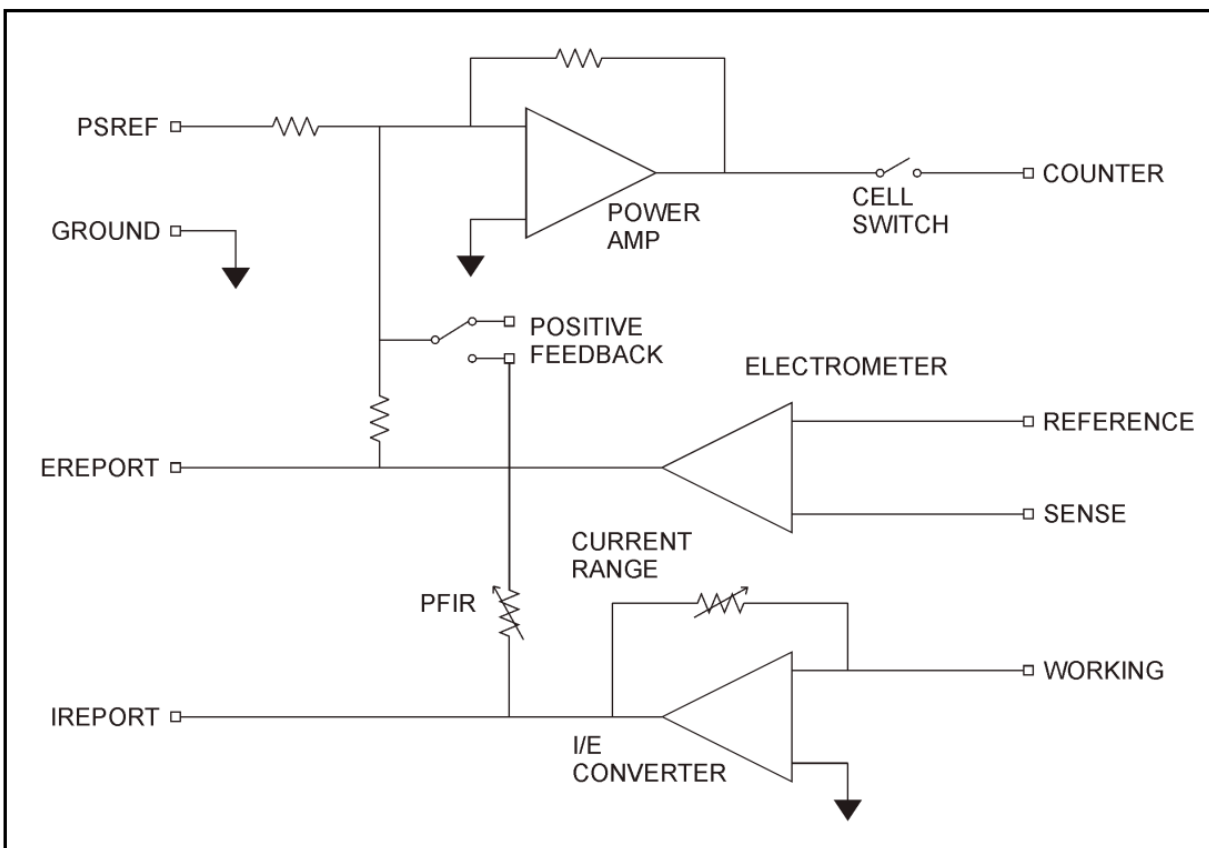


Figure 2. Potentiostat-Mode Block Diagram

1.2.2. Galvanostatic mode

In galvanostatic operation, the VersaSTAT 3F controls the current between the counter and working electrodes at the specified fraction of the selected current range (up to the maximum of the current range; see Figure 2). The counter electrode is driven to the potential required (consistent with the ± 12 V compliance of the control amplifier) to establish the desired cell current. The reference electrode is not used in the control loop, but is usually used to measure the potential at some point in the electrochemical cell relative to the working-sense connection point.

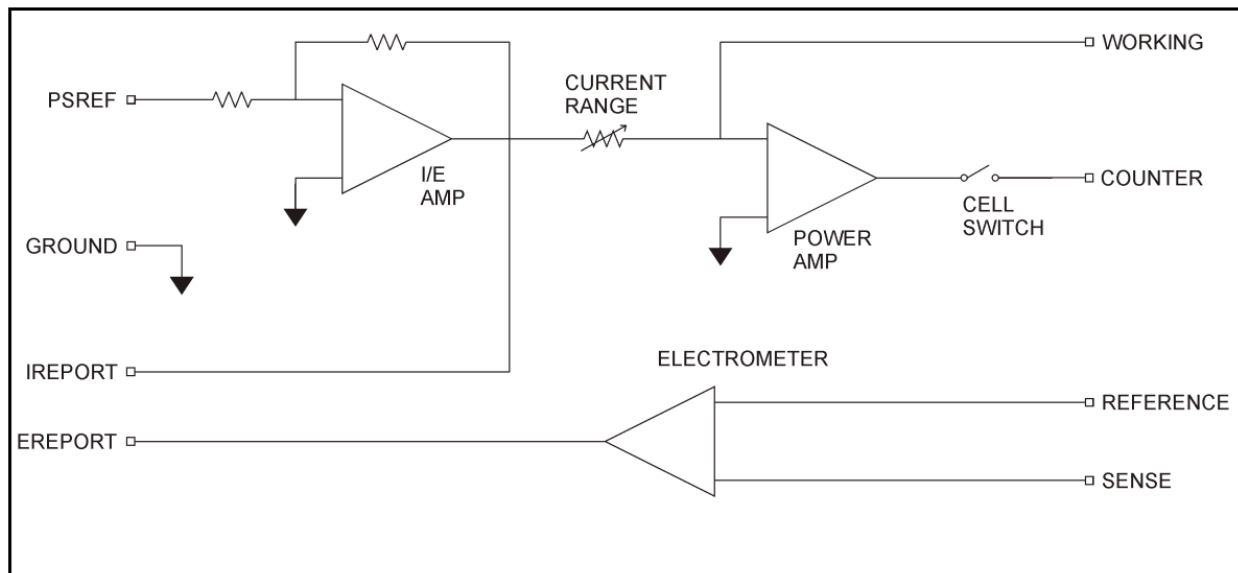


Figure 3. Galvanostat-Mode Block Diagram

1.3. Software

The VersaSTAT 3F is fully compatible with the VersaStudio software only. The VersaSTAT 3F will not operate with any other software other than that specified in this manual or the most recent documentation available on the web site (<http://www.princetonappliedresearch.com>). Likewise, the VersaSTAT 3F does not have an open command set to allow user programming outside of the VersaStudio software. The software is designed specifically to work with Windows 2000 and Windows XP, but it is highly recommended that XP be used.

1.4. Polarity Convention

The VersaSTAT 3F hardware follows the American polarity convention. (Positive current is cathodic; that is, a current is defined as positive if reduction is taking place at the working electrode. Negative current is anodic; that is, a current is defined as negative if oxidation is taking place at the working electrode. If the working electrode is driven positive with respect to the equilibrium potential, the resulting current is anodic. If the electrode is driven negative with respect to the equilibrium potential, the resulting current is cathodic.)

In complex electrochemical systems, there might be more than one equilibrium system. Where this is the case, either polarity with respect to the equilibrium potential could give rise to anodic or cathodic current, according to the systems' characteristics.

1.5. Inspecting Your New Instrument

As soon as you receive your new VersaSTAT 3F, inspect it for shipping damage. If any damage is noted, immediately notify Princeton Applied Research and file a claim with the carrier. Save the shipping container for possible inspection by the carrier.

WARNING: If your instrument has been damaged, its protective grounding might not work. Do not operate damaged equipment! Tag it to indicate to a potential user that it is unsafe to operate.

1.6. Maintenance, Service, and Support

The VersaSTAT 3F has been designed for optimum reliability and requires no periodic maintenance. **There are no user-serviceable parts in this instrument. Breaking the seal by opening the cover will void your warranty!** Contact the factory service department or the affiliate in your area if your unit needs service (see the Warranty in Section 5. for more information).

Remember that our worldwide staff continues to support you after you have purchased your instrument. We provide top quality service, applications support, and a variety of helpful information in the form of application notes, technical notes, and training materials. For more information, visit our website at www.princetonappliedresearch.com.

1.7. About this manual

Chapter 2 describes recommended safety precautions for operating this instrument, including the provision of adequate ventilation. It also tells how to deal with transients on the power line, and discusses the unlikely possibility of the instrument causing radio frequency (RF) interference.

Chapter 3 shows how to set up the hardware. It describes the functions of the connections and indicator lights, and shows how to connect the VersaSTAT 3F to the host computer and test cell.

Chapter 4 gives the physical and electrical specifications of the VersaSTAT 3F including the AUXILIARY INTERFACE connector pinouts.

As noted above, the VersaSTAT 3F is completely computer controlled; operation and experimental procedures are covered in the software section of this manual.

2. SAFETY AND COMPONENT PLACEMENT

This chapter lists safety precautions for use when operating the VersaSTAT 3F; please read them. There are suggestions for system component placement and information on possible RF interference and transient sensitivity.

2.1. Safety Considerations

2.1.1. Line Voltage Settings and Fuses

The VersaSTAT 3F has a Corcom™ Power Entry Module on the left side of the rear panel. The Corcom module (pictured below) contains the power connector and two line fuses. **The VersaSTAT 3F automatically detects the correct line voltage and frequency, so there is no line voltage changes required in the Corcom.**

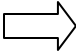
The VersaSTAT 3F is supplied with the line voltage fuses in place, as well as extra fuses supplied with each unit. For fuse replacement:

- For 100 – 120 Vac line voltages, use a 2.0 A T (slow-blow) fuse (Littlefuse® type 213, 5 x 20 mm or equivalent).
- For 220 - 240 Vac line voltages, use a 1.0 A T (slow-blow) fuse (Littlefuse® type 213, 5 x 20 mm or equivalent).

Caution: Do not use makeshift fuses or short-circuit the fuse holders



To replace a fuse:

1. Disconnect the instrument for the ac power source.
2. Use a small flat-blade screwdriver or similar tool to pop open the module door (as shown in the picture above).
3. The line fuse is in a plastic fuse holder “drawer” marked with an arrow (). Gently pull the fuse holder out, remove the old fuse, and press in the replacement.
4. Slide the fuse holder back into the module, and close the module door. You are now ready to reconnect the instrument to the ac power source.

2.1.2. Defects and Abnormal Stresses

WARNING: If your instrument has been damaged, its protective grounding might not work. Do not operate damaged equipment! Tag it to indicate to a potential user that it is unsafe to operate.

The VersaSTAT 3F’s ground protection is likely to be impaired if, for example, the instrument

- shows visible damage
- fails to perform the intended measurement.
- has been subjected to prolonged storage under unfavorable conditions, or
- has been subjected to severe transport stresses.

The instrument should not be used until its safety has been verified by qualified service personnel.

2.2. Component Placement

Before assembling the system, give some thought to component placement. You will of course need convenient access to the computer keyboard and, if applicable, the printer. Depending on the application, you might also need to connect and disconnect the cell leads regularly.

When you are satisfied that the system is ready to install, connect the units according to the instructions in Chapter 3.

NOTE: The standard system does not include an electrochemical cell. You must supply a suitable cell and electrodes.

2.2.1. Ventilation

VersaSTAT 3F specifications apply at the nominal line voltage \pm and at a temperature of 25° C (77 ° F) unless otherwise noted. Ambient temperature must not exceed 50° C (122° F). See Section 4.3 for more detailed environmental specifications.

To maintain a safe operating temperature, allow some free space (minimum 10 cm) at either side of the VersaSTAT 3F for adequate air circulation. There must be adequate circulation between the spaces at the sides of the instrument and the ambient laboratory air. In a typical bench top installation, these requirements are satisfied with a large safety margin.

CAUTION Because the ventilation for the VersaSTAT 3F is on the side panels, rack mounting in an enclosed cabinet is not recommended.

2.2.2. Radio Frequency Interference

In a typical application, it is unlikely that the VersaSTAT 3F will act as a source of noticeable RF interference. However, when operated near particularly sensitive equipment, interference from the VersaSTAT 3F could be a problem.

Below is a discussion of steps you can take to minimize that interference.

Interference below about 10 MHz is most likely to be caused by RF currents flowing in the input and output cables or in the power line cord.

If excessive noise pickup is present, try decoupling the power line with an external filter. At frequencies below 100 kHz, an external isolation transformer could be helpful.

<p>WARNING: To reduce the risk of potentially dangerous electrical shock, only a qualified service technician should perform this work, and then only with the instrument disconnected from all sources of power.</p>
--

At frequencies above 10 MHz, these measures might not suffice to prevent radiation from being a problem, particularly at VHF frequencies. Additional measures will then be required. Shielding is generally effective. A suitable shield can be constructed using metal foil, wire screening, or similar materials.

Once the instrument is completely surrounded by the shield (taking care not to unduly restrict ventilation), the only additional requirement is to install low-pass filters where lines pass through the shield (all openings through the shield should be as small as possible). A capacitor between a line and the shield can function as a suitable low-pass filter. The leads of the capacitor should be as short as possible. We suggest using coaxial feed through capacitors.

In the case of a signal lead, it is essential that the capacitor's value be such as to attenuate the interference frequencies without unduly attenuating critical frequency components of the signal itself.

NOTE: Keep the filter capacitor leads short! Long leads establish sizable ground loops and could additionally act as radiating antennae.

Coaxial cables are a special case in that the cable shield acts as an extension of the enclosure shield. Thus, the filter can be counted in a shielded box fitted with coaxial connectors without undue concern for keeping the box extremely close to the enclosure. If more convenient, it can be located at some distance from the enclosure as long as the integrity of the coaxial shield is maintained.

The preceding techniques are extraordinary measures that should be required only in unusual cases. If they are applied with care, RF interference should be reduced to an acceptably low level in all but the most critical applications. Contact the Customer Service Department for advice in the case of a problem that does not yield to these measures.

2.2.3. Transient Sensitivity

Princeton Applied Research instruments are designed and constructed to ensure normal operation in the presence of moderate transient levels. Although these provisions are sufficient for operation in most places where the equipment is used, it is certainly possible for transient levels in particular environments to be so severe that they make reliable operation uncertain. There are three general types of high-level transients:

1. Static discharge

Transients from this source generally affect input or output circuits, input circuits that include MOS field-effect transistors to achieve high input impedance are particularly susceptible to damage from this source. Damage typically occurs when the charge built up on a user's body discharges into an input or output connector as a connection is being made. Among the factors determining the tendency for charges to build are the kind of clothing fabrics worn, shoe materials, and the materials in the floor or floor covering.

2. High-level transients generated internal to the place of use

Such transients almost always enter the instrument via the line cord. Possible sources include heavy-duty electric motors, RF equipment, diathermy machines, arc welder, spark chambers, and others.

3. Lightning

Transients caused by lightning almost always enter the instrument via the line cord.

Static discharge problems can sometimes be avoided by judiciously selecting the floor covering in the work area. The simplest approach to the problem is to discharge your body by touching a grounded metal object just before touching the instrument, particularly when making connections to the cell. External line-transient filters can generally suppress transients that enter the instrument via the line cord. A suitable transient suppressor is available from Princeton Applied Research. Various kinds of power-line conditioners are also commercially available.

3. INSTALLATION

This chapter describes the VersaSTAT 3F connectors and indicators and shows you how to connect it to the host PC, electrochemical cell, and other equipment you might wish to use with it. The pinouts for AUXILIARY INTERFACE connector and cell cable connector are listed in Sections 4.4. and 4.5., respectively.

3.1. Enabling the USB port on your PC

Some PC manufacturers ship their PCs with the USB port disabled. Check for this before trying to use the VersaSTAT 3F. If the port is disabled, follow the manufacturer's instructions for enabling it.

3.2. Connectors and Indicators

3.2.1. Rear Panel

The VersaSTAT 3F rear panel is shown in **Figure 4**.

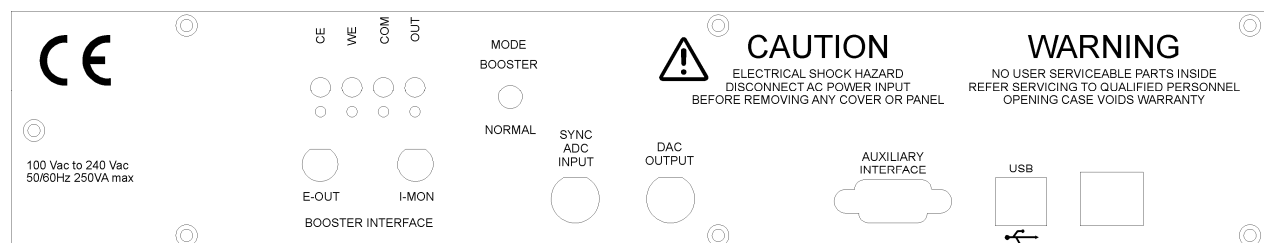


FIGURE 4. VersaSTAT 3F Rear Panel

3.2.1.1. INPUT POWER

120-240-V; the supplied AC power cord can be connected to 120-240V AC.

3.2.1.2. USB

Attach the supplied USB cable to this connector and to the USB connector on the PC. You can connect to and disconnect from the PC without shutting down or restarting Windows or VersaStudio.

3.2.1.3. SYNC ADC INPUT

This BNC allows you to monitor an auxiliary signal in the ± 10 V range with 16-bit resolution. This signal is monitored synchronously with the E and I channels.

3.2.1.4. DAC OUTPUT

Rear-panel BNC delivers a precise DC voltage in the ± 10 V range. This output can be used to control the rotation speed of rotating disk electrodes (RDEs). **CAUTION:** The voltage at this connection will be random at power-on until the system fully boots (~ 1 min after power-on). As a result, no connection should be made until system has completely booted, or in the case of an RDE (i.e., the 616/636 systems), leave the power off on the RDE until the system is completely booted.

3.2.1.5. AUXILIARY INTERFACE

This DB9 female connector provides several functions including the signals required to drive a Model 303A Static Mercury Drop Electrode. If using a Model 303A, you must connect the electrode to the AUXILIARY INTERFACE connector via the Model 507 Interface. AUXILIARY INTERFACE can also turn the Model 616 Rotating Disk Electrode on and off with the STIR signal issued with the VersaStudio software. See Section 4.4. for the pin assignments.

3.2.2. Front Panel

The VersaSTAT 3F front panel is shown in **Figure 5**.



FIGURE 5 VersaSTAT 3F front panel

3.2.2.1. CELL CABLE Connector The cell cable connector provides a means of connecting a cell cable to the instrument. The cell cable is described in more detail below.

3.2.2.1. INDICATORS

OVERLOAD: This LED lights if the working electrode current exceeds 2x the full-scale current range.

POWER: This indicator lights when the VersaSTAT 3F is powered on.

3.3. Connecting to the PC and Cell

This section gives instructions on connecting the VersaSTAT 3F to the host PC and to electrochemical cell and other equipment.

WARNING: For operator and equipment safety, power to all instruments should be off when connecting or disconnecting cables.

3.3.1. Connecting to the PC

The VersaSTAT 3F is shipped with a standard USB cable. Connect it between the rear-panel USB connector and a USB port on the PC. As noted above, it is not necessary to shut down and restart Windows or VersaStudio.

3.3.1.1. Installing the USB Driver

The first time the VersaSTAT 3F is connected to the host PC and powered on, Windows® should display a “Found New Hardware” message, and request driver installation. Upon this request, insert the VersaStudio CD into the CD-ROM drive, and select “Automatic” to install the ezusb.sys driver.

3.3.2. Connecting the Cell

To connect the cell cable (part no. 223945) to the VersaSTAT 3F:

1. Make sure the POWER switch is off.
2. Match and attach the D connector side of the Cell cable to the front of the VersaSTAT 3F, and secure the screws on either side.
3. After cell cable is connected to front panel, power the unit on and let it boot fully (approximately 1 min to boot up) before connecting a cell to the leads of the cell cable.

CAUTION: Having a cell connected at power-on or at power-off should be avoided to prevent any voltage or current spikes from reaching the cell, or in the case of energy storage devices (such as batteries, capacitors, or fuel cells), preventing spikes from discharging back into the VersaSTAT 3F and causing damage to the instrument.

4. The opposite end of cell cable is color-coded at the tip as follows:

- Green – Working (WE) electrode lead. This lead connects to the electrode of interest at which the desired reactions will occur. The current (I) is measured through the WE.
- Red – Counter (CE) electrode lead. This lead connects to the electrode opposite the WE and controls the power output of the VersaSTAT 3F.
- Gray – Sense (SE) electrode lead. This usually connects to the working electrode (the combination often referred to as the working-sense), and is a component of the differential amplifier that measures/controls the voltage between itself and the reference electrode.
- White – Reference (RE) electrode lead. This connects to the reference electrode, a component of the differential amplifier that measures/controls the voltage between itself and the sense electrode.
- Black – Ground lead. The use of the ground lead depends on the application, but it is not ordinarily used in most experiments. It can be used to supply a ground point to a Faraday shield for the experimental cell, and is used in some open circuit experiments to form a zero-resistance ammeter (ZRA).

5. The following descriptions and figures explain how to connect a two-, three-, or four-terminal electrochemical cell to the terminals of the VersaSTAT 3F cell cable.

a) Batteries, capacitors, resistors, fuel cells, and some sensors are generally connected using a two-terminal connection (Figure 6). The connectors for the cable leads are designed to allow easy interconnection of the working/sense and reference/counter leads. **Note:** If your cell has low impedance (battery) and/or your experiment generates currents in excess of 100mA, do not connect the leads into one another for a two-terminal connection. Instead, connect the leads independent of one another to their proper terminal at the cell to prevent voltage offsets that can result from milliohms of contact resistance in a “piggy-back” connection as shown below.

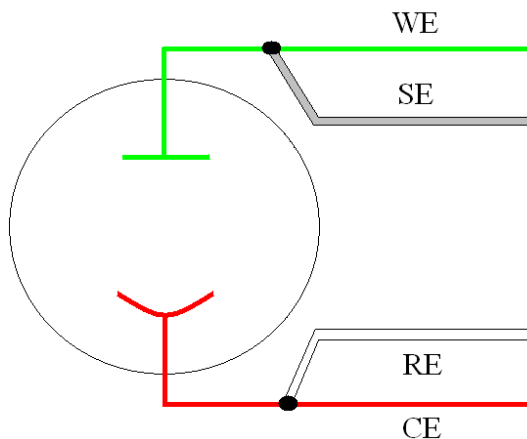


Figure 6. Two-Electrode Connection

b) General aqueous electrochemistry, corrosion experiments, and most EIS experiments are connected using a three-terminal connection (Figure 7). The voltage at the working-sense is controlled relative to a stable reference electrode positioned in close proximity to the working electrode.

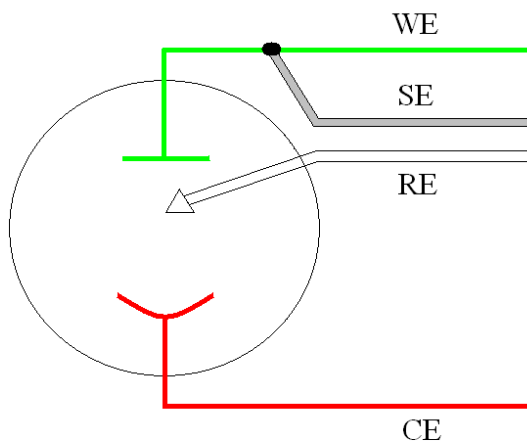


Figure 7. Three-Electrode Connection

c) There are some applications for which a four-terminal (Figure 8) connection is required. In this case, the sense electrode serves as a second reference electrode, useful for controlling the potential between the reference and sense (for instance, in controlling the potential across a membrane in a H-cell setup).

Note: Running experiments in this mode requires that the Electrometer Mode setting in the software be set to Differential for the correct potential to be applied and read.

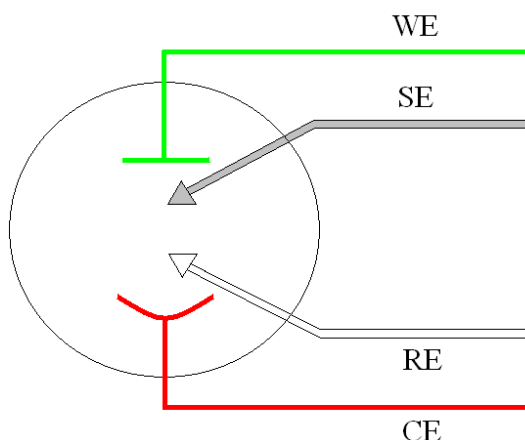


Figure 8. Four-Electrode Connection

CAUTION: Take care that the leads *do not accidentally short together*. Because the black ground lead is often unused, it tends to be overlooked and is more likely to accidentally short together with another lead.

6. The polarity of the potential at the counter electrode will be opposite the “applied potential”. This is necessary to establish the correct polarity relationship at the working electrode versus the reference electrode.
7. After all other connections to the VersaSTAT 3F are made, experiments can be set up and performed.

3.4. Floating Operation

The VersaSTAT 3F was designed to operate in either a “normal” mode or a “floating” mode. The floating mode provides the capability to operate with cells where one of the electrodes or the

cell itself is at earth ground. Examples of earth grounded cells include autoclaves, strain apparatus, storage tanks and pipelines, and additional electrodes connected to a separate potentiostat that is not floating.

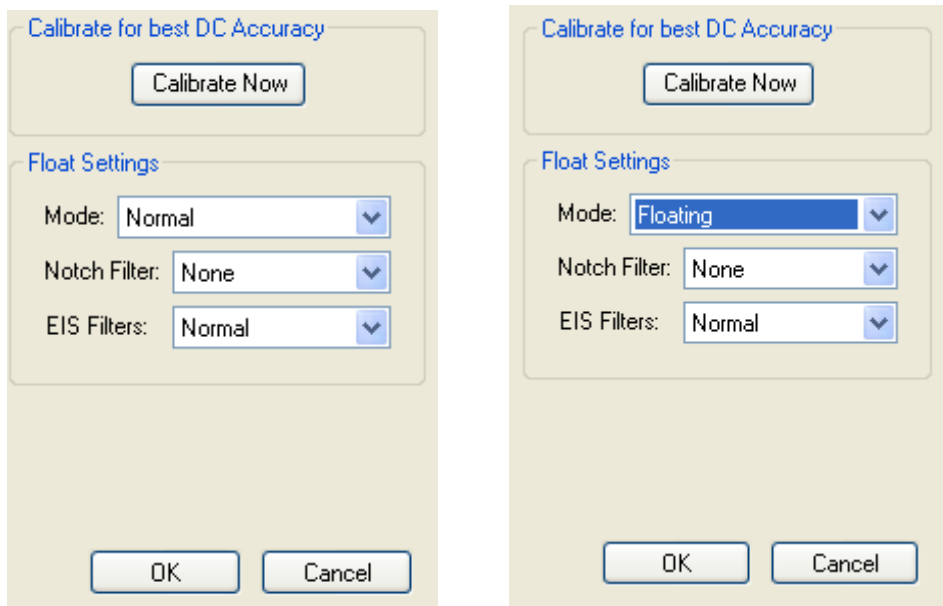
In floating mode, the internal ground of the VersaSTAT 3F (as well as the cell leads and external connections at the rear panel) is allowed to float with respect to earth ground which allows it to operate with these grounded cells.

NOTE: Instrument performance, particularly with regards to current and voltage noise, can be substantially degraded when operating in float mode on grounded cells, the level of degradation depending on the technique and the impedance between the electrodes and ground. Therefore specifications listed in Section 4 apply only to isolated cells with the VersaSTAT 3F set to normal mode.

The following section gives instructions on setting the VersaSTAT 3F to the floating mode.

3.4.1. Setting Operation Modes of Float and Normal

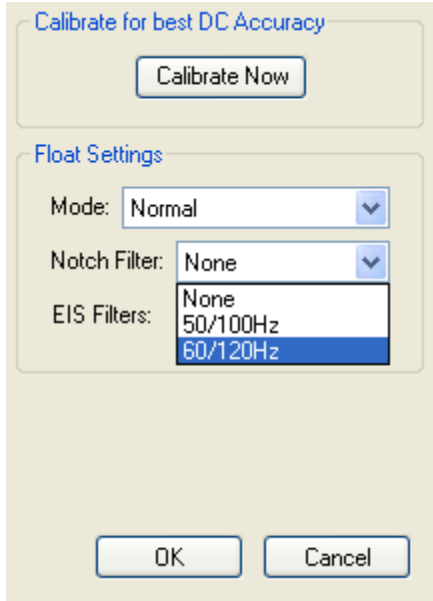
The VersaSTAT 3F's control software, VersaStudio, provides an Options menu (Tools>Options...) where the mode can be changed to either "normal" or "floating" as shown below:



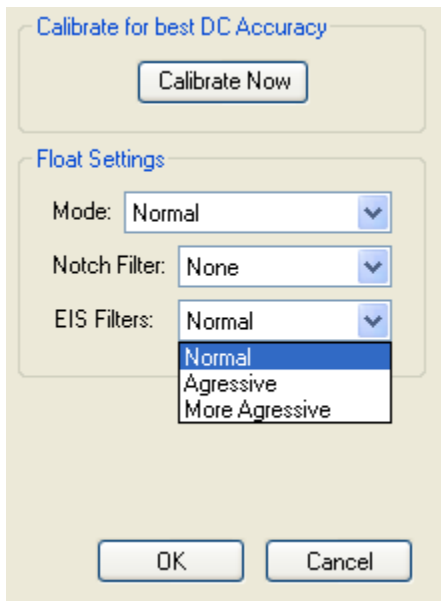
It is recommend that after one changes modes, a new calibration for DC accuracy be performed by selecting the "Calibrate Now" button above the Flaoting Settings option.

In addition to the mode selections, the VersaSTAT 3F also provides additional filters that could be required with some cells in order to enhance the signal to noise.

The “Notch Filter” is specific for those frequencies associated with line power (50/60Hz), and can reduce noise pick-up from power sources. The filter selection would depend on the line power frequency supplied to the VersaSTAT 3F. **Note: Notch Filters should be set to “None” if performing EIS actions.**



The “EIS Filters” are specific for those systems equipped with the FRA option to perform Electrochemical Impedance Spectroscopy (EIS), and can be used when performing EIS techniques where noise pickup from additional, grounded electrodes in the cell are degrading the EIS data. The selection of “Aggressive” should be tried first, then “More Aggressive” if needed.



4. SPECIFICATIONS AND PINOUTS

4.1. Electronic Specifications

4.1.1 System Performance

- Minimum Time Base: 10 μ s
- Minimum Potential Step: 1 μ V
- Noise and Ripple < 50 μ V rms typical
- Minimum Current Range: 4nA
- Minimum Current Resolution 6pA dc, 120fA ac

4.1.2. Power Amplifier

Compliance Voltage ± 12 V

Maximum Current: ± 650 mA (+/-2A with 2A Option)

Rise Time: < 350 ns (no load)

4.1.3. Voltage Control

Applied Voltage Range ± 10 V maximum

Applied Voltage Resolution ± 10 mV = 300 nV

± 100 mV = 3 μ V, ± 1 V = 30 μ V, ± 10 V = 300 μ V

Applied Voltage Accuracy $\pm 0.2\%$ of value ± 2 mV

Maximum Scan Rate 5000V/s Staircase Voltammetry (50mV step)

Maximum Scan Range/Resolution ± 10 V / 300 μ V

4.1.4. Current Control

Applied Current Range \pm full scale per range

Applied Current Resolution $\pm 1/32,000$ x full scale

Applied Current Accuracy $\pm 0.2\%$ of range, $\pm 0.2\%$ of reading

Maximum Current Range/Resolution ± 1 A /100 μ A

Minimum Current Range/Resolution ± 4 nA / 120fA

4.1.5. Differential Electrometer

Input Bias Current < 5 pA at 25°C

Maximum Voltage Range ± 10 V maximum

Input Voltage Differential ± 10 V

Bandwidth -3 dB @ > 10 MHz

Common Mode Rejection 60 dB at 100 kHz

Input Impedance > 10^{12} Ω in parallel with < 5 pF

4.1.6. Voltage Measurement

Voltage Range ± 10 V maximum

Minimum Voltage Resolution ± 6 μ V

Voltage Accuracy $\pm 0.2\%$ reading, ± 2 mV

4.1.7. Current Measurement

Ranges 10 decades, 2A to 4 nA

Accuracy (dc)

- 20 μ A to 200 mA $< 0.2\%$ full scale
- 200 nA and 2 μ A ranges $< 0.5\% \pm 1$ nA full scale
- 4nA and 20nA ranges, $< 5\% \pm 50$ pA

Frequency Response (small signal)

- 20 mA Range -3 dB at > 1 MHz, 1K source impedance
- 20 μ A Range -3 dB at > 100 kHz, 100K source impedance

4.1.8. iR Compensation

Positive Feedback Range: 50 M Ω to 5 Ω depending on current range

Dynamic iR : 5s/pt rate limit (limited to Corrosion techniques)

4.1.8. Potential/Current Control

Digital/Analog Converters (DACs)

Bias DAC

- Resolution 16 bits
- Range (potentiostat) ± 10 V
- Range (galvanostat) $\pm 100\%$ of full-scale current

Modulation DAC

- Resolution 16 bits
- Range (potentiostat) ± 10 V
- Range (galvanostat) $\pm 100\%$

4.1.10. Impedance Specifications (if impedance option available)

Frequency Range 10 μ Hz – 1 MHz

Maximum AC Voltage Amplitude 1000mV RMS

Minimum AC Voltage Amplitude 0.1mV RMS

4.2. Physical and Power Specifications

Computer Interface Universal Serial Bus (USB)

Weight 4.5 kg (10 lbs)

Dimensions 42.1 cm W x 38.7 cm D x 8.9 cm H (16.25 in x 15.25 in x 3.5 in)

Power Requirements

- 90-250 V AC, 50-60 Hz

4.3. Standard Environmental Conditions

This equipment is designed to meet or exceed the requirements of the following standards:

- LVD: EN61010-1:1993, Amendment 2
- EMC: EN61326: 1998 Emissions
- EN55011:1991, Group 1, Class A

Immunity:

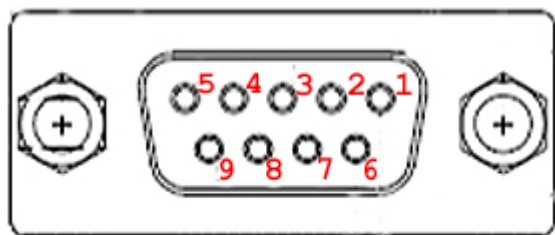
- IEC 61000-4-2:1995, ESD
- IEC 61000-4-3:1995, EM field
- IEC 61000-4-4:1995, Burst
- IEC 61000-4-5:1995, Surge
- IEC 61000-4-6:1995, Conducted RF

Operating Temperature: 10° C to 50° C

Humidity: maximum 80% non-condensing

4.4. AUXILIARY INTERFACE Pinouts

Pin	Signal	Function
1	Ground	
2	TRIG IN	Using the VersaStudio software, an experiment can be held, waiting on this TTL trigger input signal to be read.
3	DISPENSE	When using the VersaSTAT 3F with a Model 303 or 303A Static Mercury Drop Electrode (SMDE) via a Model 507 interface, this signal causes the electrode to perform a DISLODGE/DISPENSE operation on command from the host PC.
4	TRIG OUT	A TTL trigger output is provided on this line with the VersaStudio software
5	BIT O IN	Not used.
6	-	Not used.
7	BIT O OUT	Not used.
8	PURGE	When using a Model 303 or 303A SMDE via a Model 507 Interface, this signal controls the electrode's PURGE function in response to commands from the host PC .
9	STIR	This signal controls the Model 303 or 303A's STIR function in response to commands from an external computer. It is assumed that the electrode is being used with a Model 305 stirrer.



4.5. Cell Cable Pinouts

Pin	Signal	Function
A1	SENSE	See section 3.3.2.
A2	WORKING	See section 3.3.2.
A3	COUNTER	See section 3.3.2.
A4	REFERENCE	See section 3.3.2.
1	GROUND	See section 3.3.2.
9	GROUND	See section 3.3.2.
2-8	RESERVED	Reserved for future options
10-17	RESERVED	Reserved for future options

5. AVAILABLE OPTIONS

The factory installed options available for the VersaSTAT 3F are as follows:

- 1) 2A high current option
- 2) FRA Option for Electrochemical Impedance Spectroscopy measurements
- 3) Advanced Auxiliary Interface
- 4) Power Boosters, either 8A, 10A, or 20A.

5.1 2A High Current Option

The 2A High Current Option for the VersaSTAT 3F expands the upper applied and measured current from the base 650mA up to 2A. This option is built into the base unit, so it must be purchased at the same time along with the base unit, or at a later time by returning the base unit to a qualified Princeton Applied Research Service Center for installation and calibration.

5.2 FRA Option

The FRA Option provides the hardware necessary to perform the ac-based techniques of Potentiostatic Electrochemical Impedance Spectroscopy (PEIS) and Galvanostatic Electrochemical Impedance Spectroscopy (GEIS). This option is built into the base unit, so it must be purchased at the same time along with the base unit, or at a later time by returning the base unit to a qualified Princeton Applied Research Service Center for installation and calibration.

5.3 Advanced Auxiliary Interface Option

The Advanced Auxiliary Interface (AAI) Option allows for an additional four (4) A/D inputs for the VersaStudio software to acquire along with data recorded directly from the VersaSTAT 3F.

The AAI is an external unit that plugs directly into the same PC as that interfaced by the VersaSTAT 3F into an available USB port. The VersaStudio auto-detects the AAI, and collects data on the additional four A/D inputs along with data directly from the V3 hardware (E, I, AUX, etc.).

The AAI is a +/-10V DC input, 12-bit unit (+/-5mV resolution) system, and is recommended for when several variables need to be collected concurrently with the electrochemical data, such as pH, temperature, etc.

Although an external unit, the AAI requires that it must be purchased at the same time along with the base unit, or at a later time by returning the base unit to a qualified Princeton Applied Research Service Center for installation and calibration of necessary components internal to the V3 hardware.

5.4 Power Booster Options

The Power Booster Options available for the VersaSTAT 3F include a 20V/10A, 20V/20A, and 50V/8A.

Note: The voltage component for the boosters is compliance voltage increase, not reference voltage increase. The maximum reference voltage remains at +/-10V.

Each power booster includes an external power supply interfaced to additional internal circuitry of the VersaSTAT 3F system via the rear panel. Once connected, the V3 can be operated in either boosted mode or normal mode depending on a switch setting at the rear panel, as well as some cell cable changes. When set to “Booster” mode and interfaced correctly to the external power supply, currents up to the maximum for each option can be applied or measured. The VersaStudio software auto-detects the booster mode, and automatically sets the parameters needed to operate correctly in that mode.

Note: In boosted mode, the system is required to stay on a single current range, and is limited in this mode to current measurements at a resolution of 16 bits for the boosted range.

This option has components that are built into the base unit, so it must be purchased at the same time along with the base unit, or at a later time by returning the base unit to a qualified Princeton Applied Research Service Center for installation and calibration.

Refer to Appendix 1 in this hardware section for power booster setup and connections.

6. Advanced Measurement Technology, Inc. a/k/a Princeton Applied Research, a subsidiary of AMETEK®, Inc.

WARRANTY

Princeton Applied Research* warrants each instrument of its own manufacture to be free of defects in material and workmanship. Obligations under this Warranty shall be limited to replacing, repairing or giving credit for the purchase price, at our option, of any instrument returned, shipment prepaid, to our Service Department for that purpose within ONE year of delivery to the original purchaser, provided prior authorization for such return has been given by an authorized representative of Princeton Applied Research.

This Warranty shall not apply to any instrument, which our inspection shall disclose to our satisfaction, to have become defective or unworkable due to abuse, mishandling, misuse, accident, alteration, negligence, improper installation, or other causes beyond our control. This Warranty shall not apply to any instrument or component not manufactured by Princeton Applied Research. When products manufactured by others are included in Princeton Applied Research equipment, the original manufacturer's warranty is extended to Princeton Applied Research customers.

Princeton Applied Research reserves the right to make changes in design at any time without incurring any obligation to install same on units previously purchased.

THERE ARE NO WARRANTIES THAT EXTEND BEYOND THE DESCRIPTION ON THE FACE HEREOF. THIS WARRANTY IS IN LIEU OF, AND EXCLUDES ANY AND ALL OTHER WARRANTIES OR REPRESENTATIONS, EXPRESSED, IMPLIED OR STATUTORY, INCLUDING MERCHANTABILITY AND FITNESS, AS WELL AS ANY AND ALL OTHER OBLIGATIONS OR LIABILITIES OF PRINCETON APPLIED RESEARCH, INCLUDING, BUT NOT LIMITED TO, SPECIAL OR CONSEQUENTIAL DAMAGES. NO PERSON, FIRM OR CORPORATION IS AUTHORIZED TO ASSUME FOR PRINCETON APPLIED RESEARCH ANY ADDITIONAL OBLIGATION OR LIABILITY NOT EXPRESSLY PROVIDED FOR HEREIN EXCEPT IN WRITING DULY EXECUTED BY AN OFFICER OF PRINCETON APPLIED RESEARCH.

SHOULD YOUR EQUIPMENT REQUIRE SERVICE

A. Contact the Customer Service Department (865-482-4411) or your local representative to discuss the problem. In many cases it will be possible to expedite servicing by localizing the problem.

B. If it is necessary to send any equipment back for service, we need the following information.

1. Model number and serial number.
2. Your name (instrument user).
3. Your address.
4. Address to which the instrument should be returned.
5. Your telephone number and extension.
6. Symptoms (in detail, including control settings).
7. Your purchase order number for repair charges (does not apply to repairs in warranty).
8. Shipping instructions (if you wish to authorize shipment by any method other than normal surface transportation).

C. U.S. CUSTOMERS — Ship the equipment being returned to:

Advanced Measurement Technology, Inc. PHONE: 865-482-4411
801 S. Illinois Avenue FAX: 865-483-2133
Oak Ridge, TN 37831
ATTN: Customer Service

D. CUSTOMERS OUTSIDE OF U.S.A. — To avoid delay in customs clearance of equipment being returned, please contact the factory or the nearest factory distributor for complete shipping information.

Copyright © 2003, Advanced Measurement Technology, Inc. All rights reserved.

*Princeton Applied Research is a registered trademark of Advanced Measurement Technology, Inc. All other trademarks used herein are the property of their respective owners.

Appendix 1.

VersaSTAT 3F External Power Booster Connections

General

There are three External Power Booster options for the VersaSTAT 3F (all power ratings are nominal as determined by bipolar power supply):

- The 8A/VERSASTAT3 provides ± 8 amps at ± 50 volts.
- The 10A/VERSASTAT3 provides ± 10 amps at ± 20 volts.
- The 20A/VERSASTAT3 provides ± 20 amps at ± 20 volts.

This add-on option consists of a specially configured bipolar power supply from KEPCO®, Inc., an internal (inside VersaSTAT 3F chassis) Princeton Applied Research Power Booster Interface, and cabling.

NOTE: The VersaSTAT 3F is factory configured and calibrated to operate with the bipolar power supply purchased with the option. ***Using a different power supply could damage your system.*** Before using a different KEPCO with your VersaSTAT 3F with booster option, contact your local Princeton Applied Research representative or service center

All experiments are computer-controlled via the VersaStudio software which correctly scales the current entry and measurement. No correction factor is required as with some other power booster options.

The VersaSTAT 3F functions on a fixed current range of 2mA when operating in “Booster Mode” with the KEPCO power supply. The interface board scales the current signals from the KEPCO to allow current measurements to ± 20 amps.

The system frequency response has been modified in booster mode to provide stability for the complete closed-loop response for electrochemical cells with a very high capacitance and very low resistance.

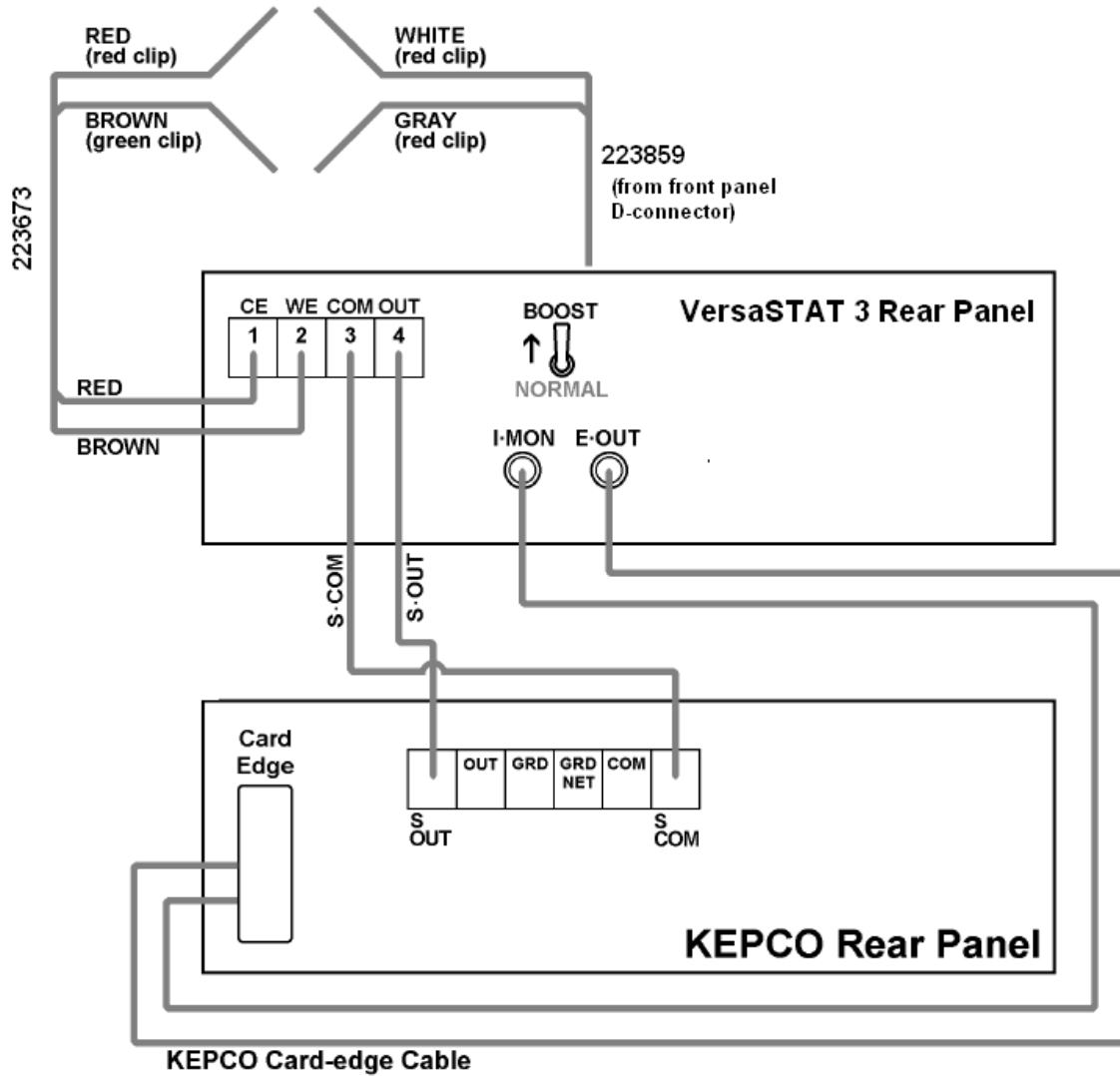
Connections and settings are identical among the three external power booster options.

The power booster interface operates in power-boostered or normal modes --- a simple cable connection and flip of a switch convert between the two modes. This section discusses the boosted mode only.

Interconnections

The VersaSTAT 3F and KEPCO connect to the cell (electrochemical cell, battery, etc.) by two marked cables, **223873** for the KEPCO and **223859** for the VersaSTAT 3F (replacing the normal cell cable used for “Normal” mode). All the interconnections for the VersaSTAT 3F and KEPCO are shown below.

CAUTION: Make all connections with the power *off*.

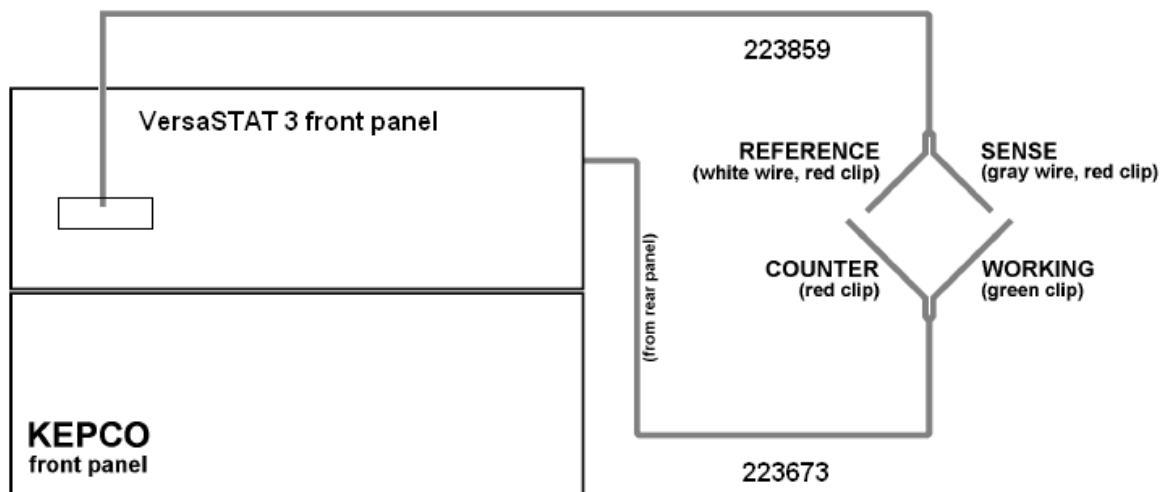


KEPCO Front-Panel Setup

- The **MODE** switch on the front panel of the KEPCO should be set to Voltage mode (left position).
- The **Voltage CONTROL** switch (red toggle on left side) should be in the OFF (down) position.
- The **Current CONTROL** switch (red toggle on right side) should be in the OFF (down) position.
- The **SENSE/Common** (black banana jacks at bottom-center) should be inter-connected with a shorting bracket.
- The **OUTPUT/Sense** (red banana jacks at bottom-center) should be inter-connected with a shorting bracket.

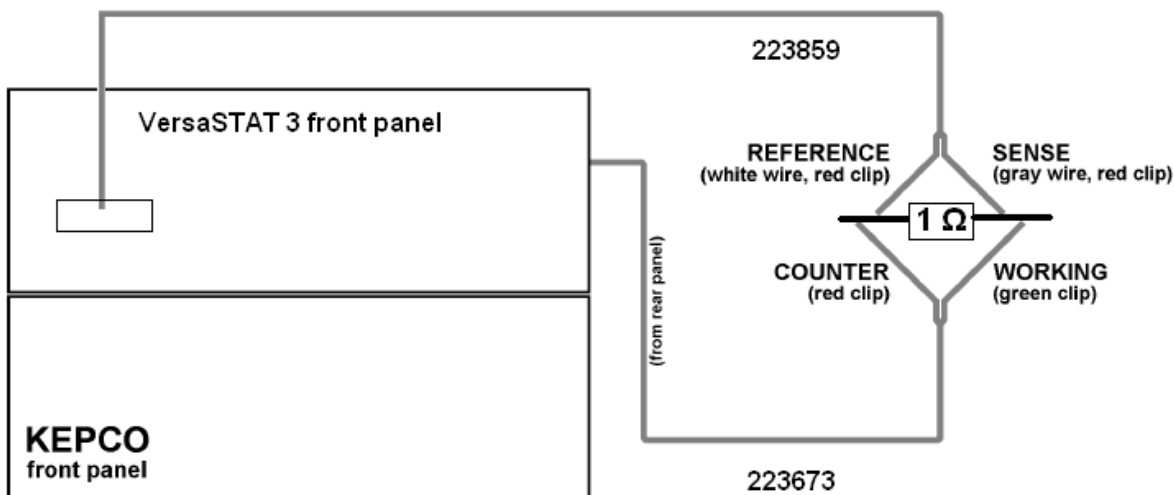
External Cell Connection and Checkout

Use the cables 223859 and 223873 to connect the cell being tested.



DANGER: Dangerous and possibly lethal voltages may be present on the COUNTER lead. Never touch the leads while mains power is supplied to the KEPCO. For more information, see the accompanying KEPCO manual.

Once all the interconnections have been made, it is recommended that a checkout be performed on a known valued resistor (not supplied), also referred to as a “dummy cell,” to insure that the system is connected and functioning correctly. A value of 1 ohm is recommended, and it must have a power rating of at least 5 watts.



Dummy Cell Connections

1. Ensure the power is off on both the VersaSTAT 3F and KEPCO.
2. Connect dummy cell (resistor) as shown above with Counter/Reference connected to one side of the resistor, and Working/Sense connected to the opposite side.
3. Set the VersaSTAT 3F rear panel NORMAL/BOOST to BOOST mode.
4. Turn on the power to the VersaSTAT 3F.
5. Turn on the power to the KEPCO.
6. Start the VersaStudio software, and select “New Experiment.” Select the “Chronoamperometry” action.
7. Once the software has established communications with the VersaSTAT 3F, ensure that the status bar in the lower right hand corner of the screen shows “Booster Mode”.
8. In the Experiment Properties window for the Chronoamperometry action, ensure that the applied voltage is 1V, time per point is 1s, and duration is 10s. Select the “Advanced” button and set the “Electrometer Mode” to the setting of “Differential.”
9. Select the “Run” button at the top of the window to start the experiment and acquire data.
10. After the experiment finishes, verify that the applied potential was 1V, and that the resulting current was 1A (for a 1 ohm resistor) for the data (10 points) collected..